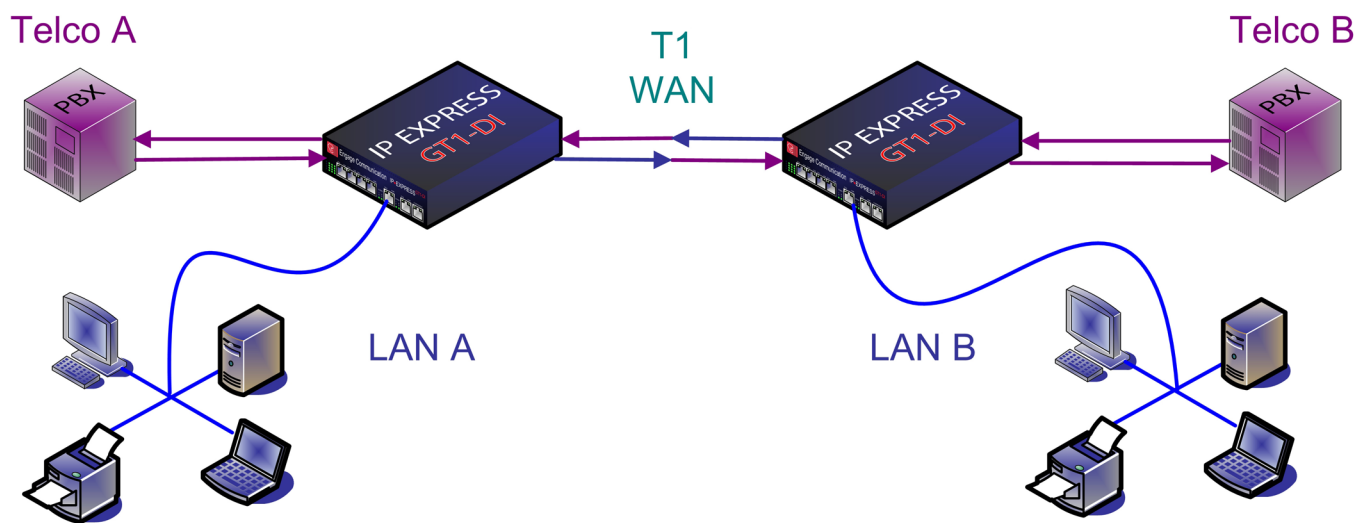


• T1 WAN Router or Bridge with Drop and Insert Mux •

IP•Express GT1-DI is a high performance, bandwidth scalable, WAN router or bridge with 4 T1 ports with flexible Drop and Insert capabilities. Point to Point and Frame Relay Wide Area Networking Protocols, with 24/7 proven interoperability, are fully supported on the T1 channels allocated to the internal WAN Router or Bridge.

The 4 T1 ports are able to independently connect T1 based Telecommunication Equipment and Ethernet LANs to 1 or 2 remote locations.

A WAN Router or Bridge, 1 to 3 T1 Drop and Insert Interfaces and a long haul T1 DSU/CSU are integrated to create a complete T1 Data and Voice Multiplexor.



• Point to Point Access for Voice and Data •

Interconnect Remote LANs and PBXs Over T1

IP•Express GT1-DIs are used to connect Branch Office PBXs and Phone switches to an organization's headquarter's Phone System, which has access to the PSTN, to save money on Local Access Phone charges and interoffice calls. The remote LAN interconnection to the Headquarter's LAN is utilized for centralized database access, shared file servers, print servers, etc...

Teleconferencing Equipment Interconnect

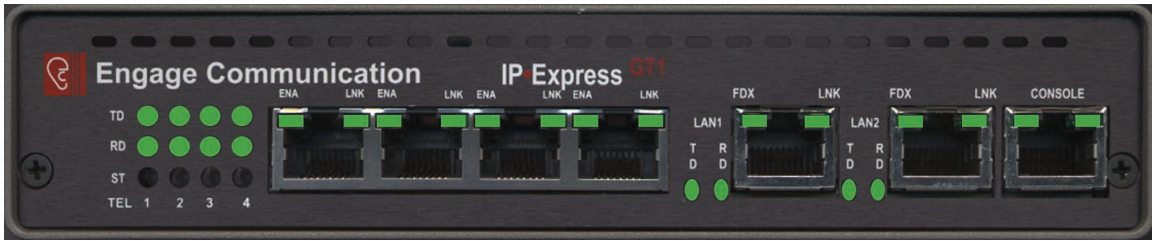
IP•Express GT1-DIs provide T1 based Teleconferencing Applications with a very cost effective solution to share a T1 connection with the LAN.

Remote Management of Telecom Switches

IP•Express GT1-DIs enable Telecommunication Service Providers to remotely manage their Telecommunication Switches over their T1 connection. Allocation of T1 bandwidth to the LAN interface provides for an always on network connection to the Ethernet Management interfaces of the Telecommunication Switch.

Internet Access and PBX Connection to PSTN

IP•Express GT1-DIs are the ideal Customer Premise Equipment for Competitive Local Exchange Carriers that are provisioning Internet Access and PBX Connection to the PublicSwitch Telephone Network.



IP•Express GT1-DI Technical Specification

LAN Network Interface:

- 10/100 BaseT Ethernet Port
- Auto-negotiate or Configured Speed/Duplex

LAN Network Protocols:

- IP, TCP, UDP, RIP, ICMP
- IP Multicast support
- Spanning Tree Bridging

WAN Network Interfaces:

- Two T1/FracT1 CSU/DSU ports

WAN Network Protocols:

- PPP (RFC 1548/1332/1334, PAP)
- Multilink PPP (RFC 1990)
- Frame Relay (ANSI ANNEX D, LMI, RFC 1420)

Routing Protocols Supported:

- RIPv1, Static

T1/Fractional T1 Specifications:

- Framing - ESF or D4
- Coding - B8ZS or AMI
- Supports DS0 assignments from 1 to 24 (64Kbps to 1.536Mbps)

T1 Diagnostic:

- Loopback Test Network, Internal, Framer, Payload
- Bert Tests 2E07,2T11,2T15,QRSS

TFTP Online Upgrade Capable

- Fully operational during upgrade

Network Security:

- Full On Source, Destination; Port and Flag IP Packet filtering
- Network, Device and Application

Dimensions:

- 9" (L) x 7.3" (W) x 1.50" (H)
- T1 Wan D&I Connectivity in 1/2 of a 1U19" rack

Management:

- Telnet support with Edit and Paste Templates
- Console Port for Out of Band Management
- SNMP support (MIB I, MIB II)
- Remote configuration, monitoring, & reset

Regulatory:

- Safety -IEC60950
- EMC - CFR 47 Part 15 Sub Part B:2002
EN55022:1994+A1&A2
EN55024, ICES-003 1997
CISPR 22 Level A
- Telecom - Part68
- CE

Power:

- Locking Power Connector
- 12-24 VDC 1.0A
Ships with Universal Adapter
- Optional -48V 0.25 Amp
- Hot Standby with 2nd Power Module

How to Order — IP•Express GT1-DI

Part No.	Description	Notes
ODI-1544-0x	IP•Express GT1-DI, xT1 (x=2 - 4 Ports)	Base Model Specify # of T1 Ports Enabled
UDI-1544-0x	IP•Express GT1-DI T1 Port Upgrade	Enable Additional T1 Ports (up to 4)
Power Options		Specify as suffix
-DCMOD	Power 12/30 VDC with LOCKING CONNECTOR	Ships with Universal Adapter 90/240 50/60
-WIREDC	Power 12/30 VDC Stripped Wire Screw	
-N48VDC	Power Supply Module Negative 48 Volt DC	Isolated Negative 48 Volt Power Hot Standby
Rack Mount Option		Specify as suffix
-RACKMNT	19" Wide Rack Mount Brackets	Enclosure Nut Serts Installed